



PoolSync
READY!



SUNPOWER

HYBRID spa
heater **TRANSFERS**
heat from pool to spa

Control from a
CONVENIENT
phone app

SunPower

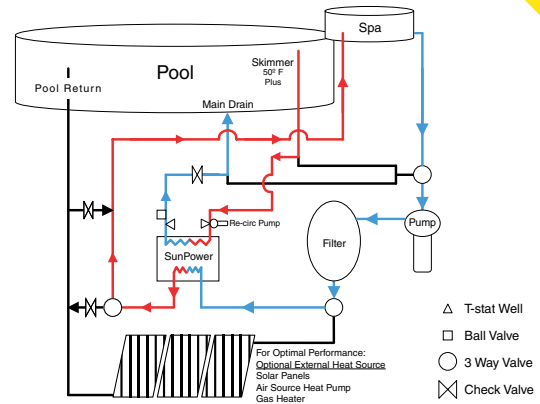


RECYCLE EXISTING HEAT



SunPower Hybrid Spa Heater transfers **FREE** heat from your pool to your spa.

- Heat your spa every day using our advanced heat pump technology for less than \$10 per month
- Use your pool water to heat the spa, as long as the pool is 45°F or higher
- 15 year life expectancy - You'll buy 3 gas heaters before you replace this unit
- Perfect companion for solar
- SMART control panel with 24 character full-text display provides easy-to-read menu options and unit status
- Cool the spa to use as a plunge pool
- Virtually maintenance free
- Silent operation - can be installed indoors
- Eco-Friendly
 - No noxious gas emissions from fossil fuels
 - Virtually no effect on your carbon footprint
 - Does not add to global warming



Now PoolSync™ Ready

- Adjust the mode to heat, cool or autotemp, and set your temperature through the PoolSync app
- *Additional purchase of PoolSync WiFi Controller required



SP05

Efficiency <small>(85°F Source Water Temp.)</small>	BTUs	110,000
	C.O.P. (Coefficient of Performance)	6.4
	Source Heat Exchanger	Ti
	Spa Heat Exchanger	Ti
	Voltage/Hz/Phase	208-230v/60Hz/1 & 3 phase
	Min. Circuit Ampacity	40.1
	Min./Max. Fuse Size	40/60
Water Flow	Min./Max. - Pool/Spa	25/70 gpm
	Min./Max. - Source	20/70 gpm
	Recommended Recirculation Pump	1.4 Hp with Hair Lint Trap
Physical	Shipping Weight (lbs)	340
	Length x Width x Height (in)	32" x 37" x 32"
Single pump spillover spa system - additional source water pumping cost @65 watts per gpm - adjusted C.O.P. of 4.5		

AquaCal® Producing quality heat pumps since 1981

www.
AQUACAL
.COM



SUNPOWER

California residents visit aquacal.com for Proposition 65 information.



AC-1485-2_21_V3